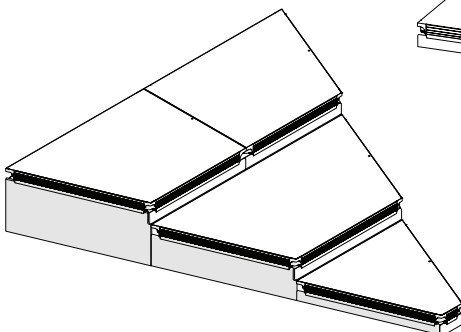
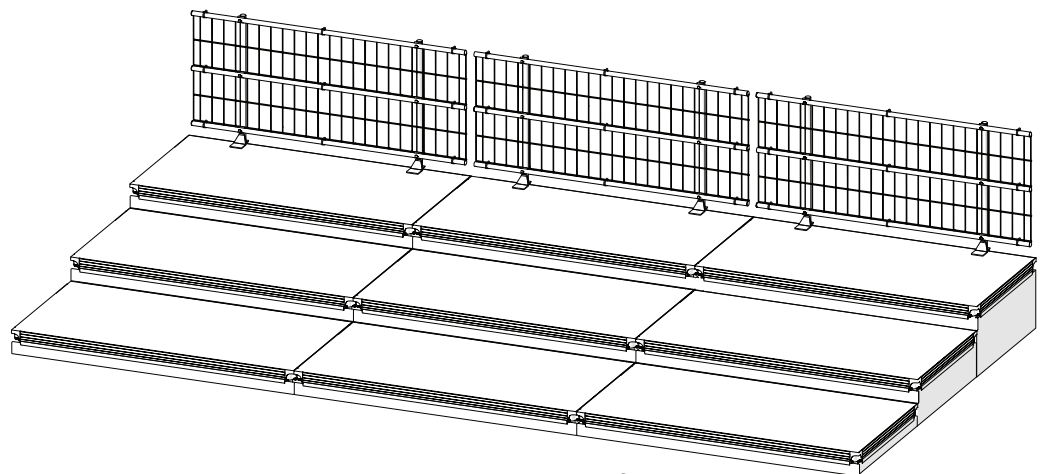
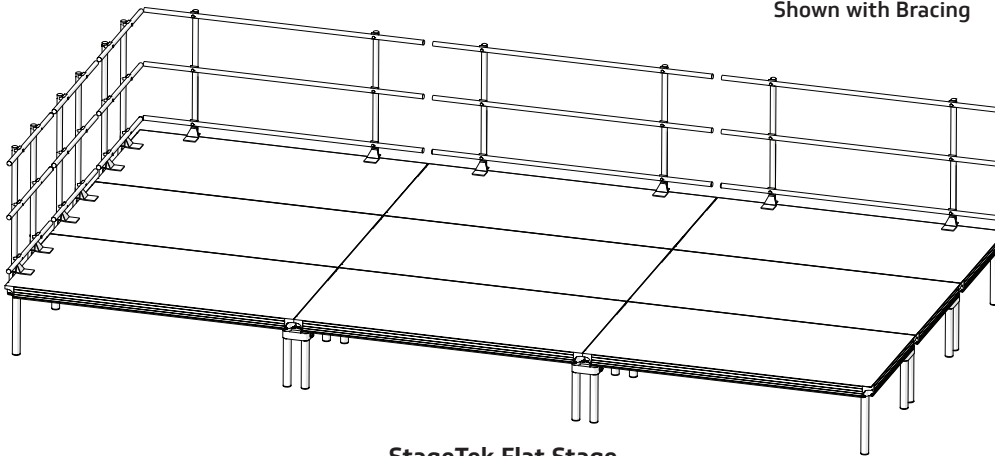
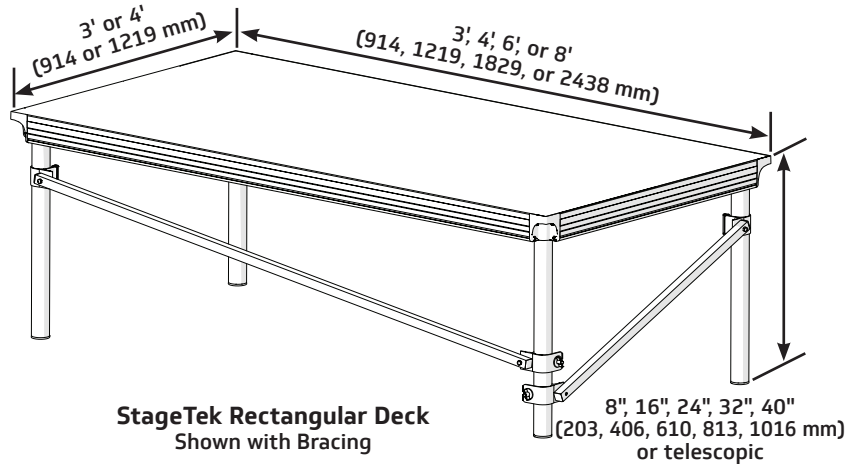


StageTek® Staging System

StageTek is a highly flexible design and can be used to accommodate many unique and custom applications. Please contact your Wenger Representative to discuss your needs.

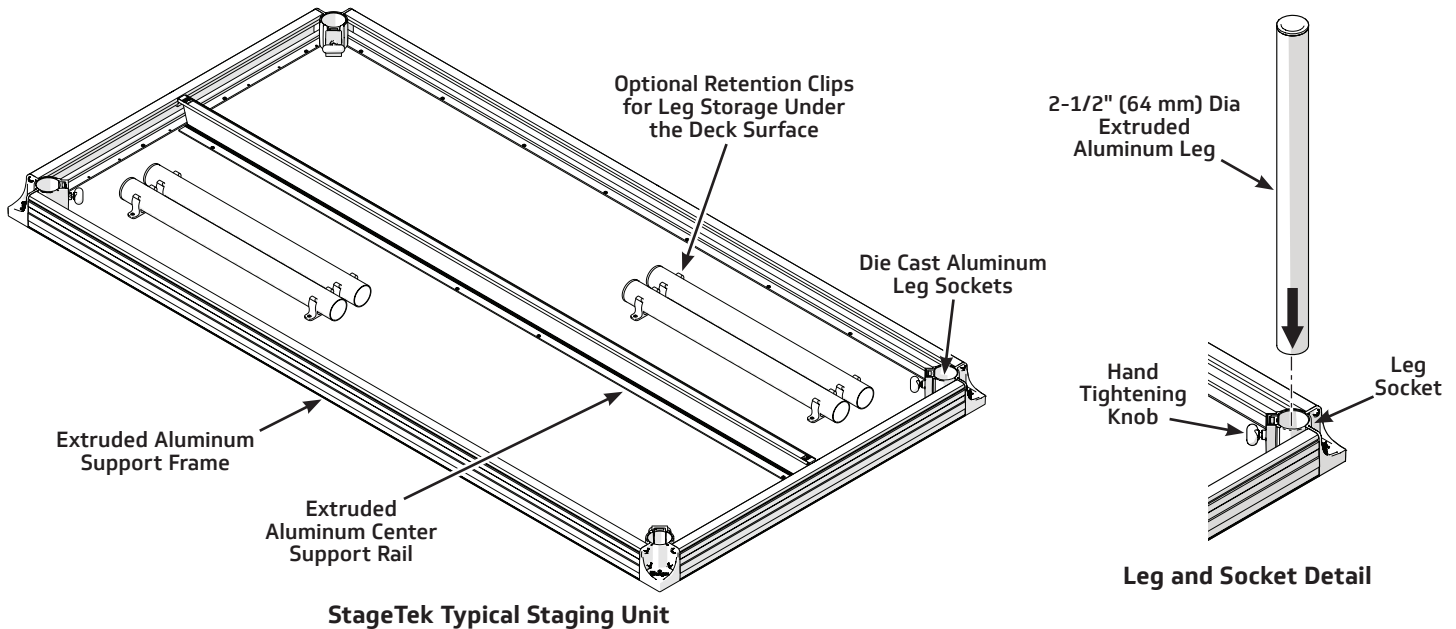
System Description

- 280A200_ Rectangular decks are available in the following sizes:
 3' x 3' (914 x 914 mm): 37 lb (17 kg)
 3' x 6' (914 x 1829 mm): 65 lb (29 kg)
 3' x 8' (914 x 2438 mm): 87 lb (39 kg)
 4' x 4' (1219 x 1219 mm): 59 lb (27 kg)
 4' x 6' (1219 x 1829 mm): 85 lb (39 kg)
 4' x 8' (1219 x 2438 mm): 107 lb (49 kg)
- Pie shaped and custom decks are available
- Ten-year warranty



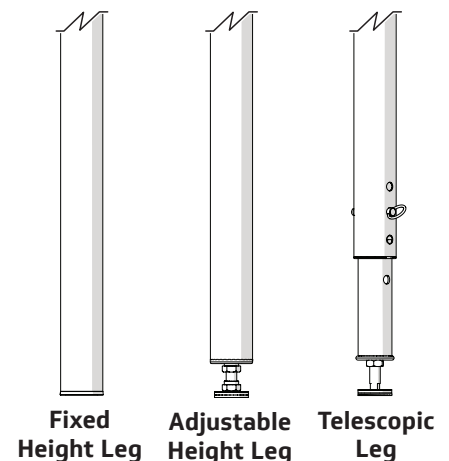
Features

- Platform decks are 3/4" (19 mm) thick and constructed of Group I veneer plywood with a protective laminate on both sides
- Surface options:
 - Black Standard (Cracked Ice Polypropylene): A slip resistant overlay recommended for general multi-purpose
 - Black Versalite-Match (Moroccan): A slip resistant overlay that will match Wenger Versalite decks
 - Black Heavy-Duty (Quadriple): An aggressive textured overlay for applications requiring greater slip resistance
 - Natural or Painted Hardboard: A 1/2" (13 mm) plywood bonded between two faces of 1/8" (3 mm) tempered hard-ply
 - Carpeted: Manufacturer's standard grey carpet over a 5/8" (16 mm) plywood core (contact Wenger for a sample)
 - Carpet Ready: A 5/8" (16 mm) plywood core ready to receive carpet surface
 - Black powder-coat paint finish is available for the deck surface, frame and legs (not telescopic legs)
- Dynamic impact loading: 10,000 cycles of 400 lb-force (181 kg-force) at six locations per 4' x 8' (1219 x 2438 mm) rectangular deck
- StageTek load ratings as measured on a 4' x 8' (1219 x 2438 mm) rectangular deck:
 - Standard uniform live load for decks with 4 legs: 125 lbf/ft² (6 kN/m²), meets L/75 deflection criteria
 - Heavy duty uniform live load for decks with 5th leg (as needed or smaller deck): 150 lbf/ft² (7.2 kN/m²), meets L/180 deflection criteria
 - Heavy duty uniform live load for decks with no 5th leg, added stiffener(s): 150 lbf/ft² (7.2 kN/m²), meets L/180 deflection criteria
 - Lateral live side load: 12 lbf/ft² (0.6 kN/m²) based on deck top surface area, meets IBC code
 - Caster load: 300 lb (136 kg) applied via 2" (51 mm) diameter by 2" (51 mm) wide flat rubber wheel with no appreciable surface deformation
 - Concentrated load: 500 lb (227 mm) on a single 6" x 6" (152 x 152 mm) square area per deck
- Standard rectangular decks feature spaces under each platform unobstructed by folding frames or braces allowing for easy storage/stowage space under the system
- Frame and edging are fabricated from 4" (102 mm) tall aluminum extrusion; extrusion is designed with a slight recess for hook and loop skirting attachment and also features notches hidden on the inside of the frame to accept accessory attachments
- Decks feature fully replaceable components including corners, frame, and wood deck; replaceable in the field with common tools
- An aluminum extrusion center support rail is featured on deck sizes: 4' x 8' (1219 x 2438 mm), 4' x 6' (1219 x 1829 mm) and 3' x 8' (914 x 2438 mm)
- The frame is designed for safer, easier handling and features rounded contours ergonomically sized for a secure power grip (closed grip)
- Standard unit-to-unit connectors are leg-to-leg connections of adjacent decks; additional connectors are available depending on the staging application
- Leg braces are available to provide additional stability



Leg Options

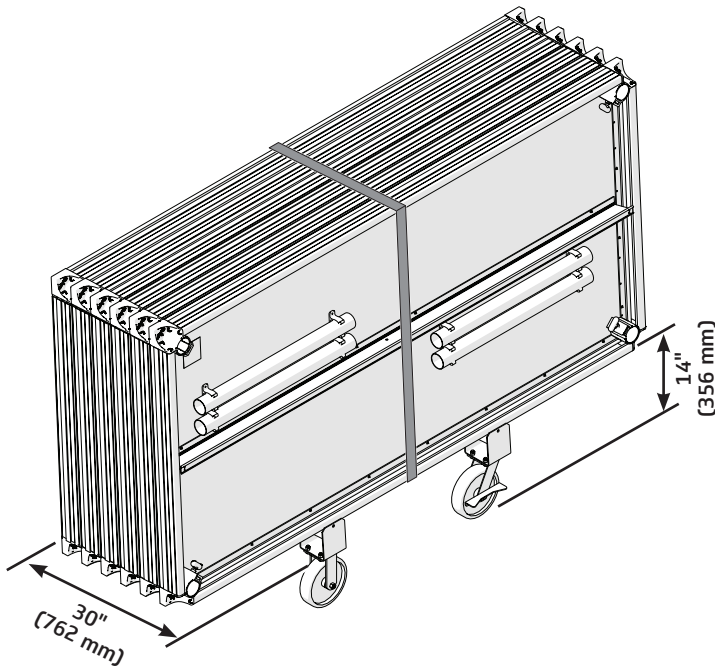
- Available leg options include fixed height, adjustable height and telescopic
- Standard rectangular decks have four die cast aluminum leg sockets; legs are quickly secured without tools by just rotating the knob
- Standard legs are fabricated from 2-1/2" (64 mm) diameter aluminum extrusions and are finished with non-marring cap; available in lengths that result in the following deck heights: 8" (203 mm), 16" (406 mm), 24" (610 mm), 32" (813 mm) and 40" (1016 mm)
- Adjustable telescopic legs feature a threaded leveling foot finished with a rubber pad and non-rattling telescopic adjustment secured with a quick-release pin and jam nut; available in lengths that result in the following deck heights: 16"-28" (406-711 mm), 24"-40" (610-1016 mm) and 30"-54" (762-1372 mm)
- Black powder-coat paint finish is available for fixed height legs and adjustable height legs; not available for telescopic legs
- Custom leg sizes are available



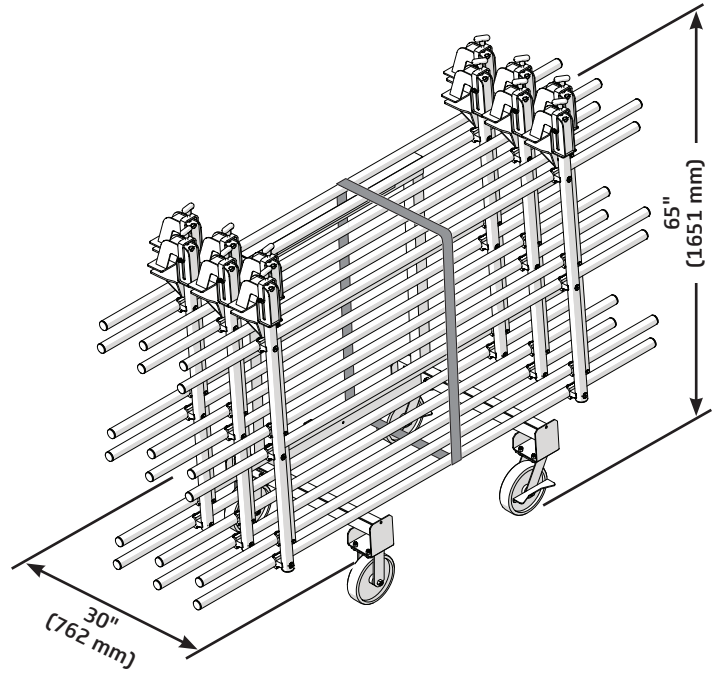
Accessories

Staging Universal Deck & Rail Cart

- 113K001 85 lb (38 kg); fits through a 32" (813 mm) door
- Holds six StageTek rectangular decks (without accessories) or six StageTek guardrails
- Decks and guardrails can be mixed on the same cart
- Ideal for non-rectangular units such as pie shapes used in seated risers and oversize units
- Heavy-duty, non-marring locking casters and ratcheting nylon safety strap



Staging Universal Deck & Rail Cart
Loaded with six Rectangular Decks

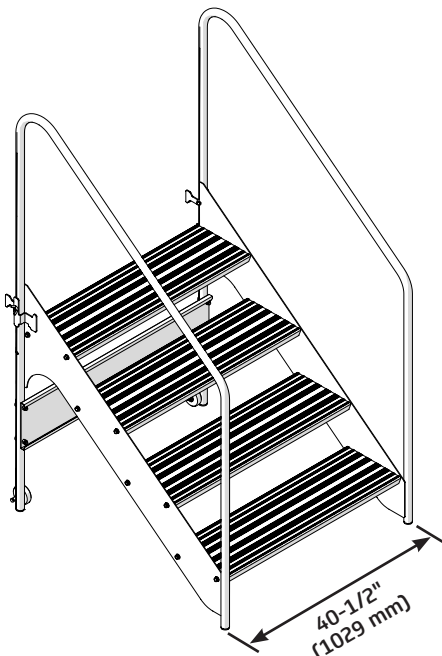


Staging Universal Deck & Rail Cart
Loaded with Six Guardrails

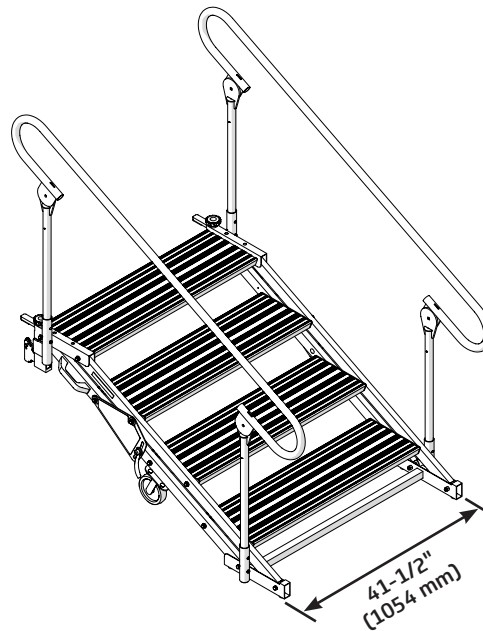
Stairways – Fixed Height and Adjustable

- Adjustable stairways are ideal for custom-height systems and for systems that are frequently set up at different heights
- Stairways feature a hook bracket to function with StageTek decks
- Stairs feature aluminum extruded treads and include permanent handrails on both sides

Fixed Height Stairways	Adjustable Height Stairways
2-Step: 281A100 55 lb (25 kg)	3-Step: 281A201 107 lb (49 kg)
3-Step: 281A101 76 lb (34 kg)	4-Step: 281A202 122 lb (55 kg)
4-Step: 281A102 94 lb (43 kg)	6-Step: 281A203 160 lb (73 kg)
	8-Step: 281A204 188 lb (85 kg)



Fixed Height Stairway
4-Step Model



Adjustable Height Stairway
4-Step Model

Accessories (continued)

Guardrails

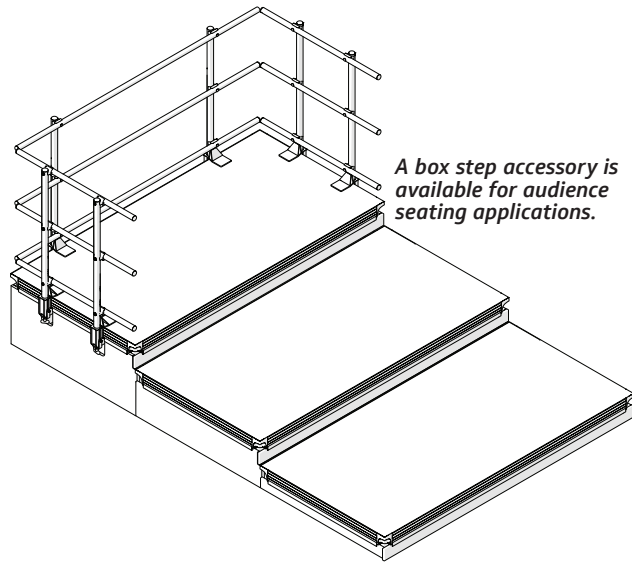
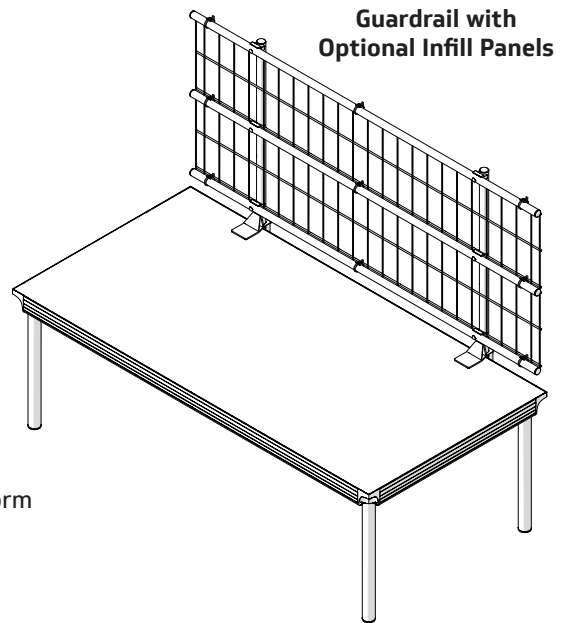
- Guardrails comply with IBC code requirements for loading
- Guardrails feature two uprights and three cross bars; optional infill panels can be added that comply with the IBC 4" (102 mm) sphere code
- Guardrails can function as a chair stop
- Guardrails are 42" (1067 mm) high with a black powder-coat paint finish
- Guardrails clamp to the stage deck without the need for tools

Clamps, Connectors and Braces

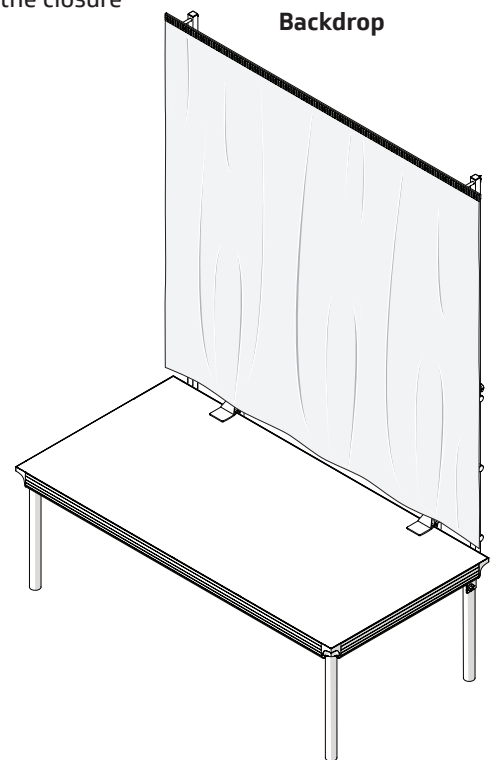
- Optional retention clips for leg storage mount under the deck to provide retained leg storage
- A variety of leg straps, metal leg to leg, leg to deck, overlap and anchor brackets are available
- Stabilizing braces are recommended for heights 40" (1016 mm) and above
- Optional deck-to-deck cam locks are built into the deck frame; cams can be locked or opened via a small tool access hole on top of the platform

Backdrop and Closure Panels

- Drapery is available in heights to match the staging elevation and in a wide variety of colors
- 100% fire retardant woven polyester attaches with hook and loop fastening strips
- Backdrop frame attaches to guardrails and positions a drapery 8' (2438 mm) above the stage; available in 4' (1219 mm), 6' (1829 mm), and 8' (2438 mm) widths
- Solid side and front closures are ideal for seated riser systems
 - Constructed of the same material as the deck with the same surface options
 - Edges are finished in a thermofused black edge band
 - Connects to the rail without tools via an extruded PVC clip running the length of the closure



StageTek Seated Riser Configuration
With Guardrails and Closure Panels



Wenger

JRCLANCY

GEARBOSS

© 2025 Wenger Corporation
USA/2025-01

Minnesota Location

Wenger Phone 800.4WENGER (493-6437) Wenger Worldwide +1.507.455.4100 | Parts & Service 800.887.7145 | wengercorp.com
GearBoss Phone 800.493.6437 | gearboss.com
555 Park Drive, PO Box 448 | Owatonna | MN 55060

New York Location

J.R. Clancy Phone 800.836.1885 JR Clancy Worldwide +1.315.451.3440 | jrclancy.com | 7041 Interstate Island Road | Syracuse | NY 13209